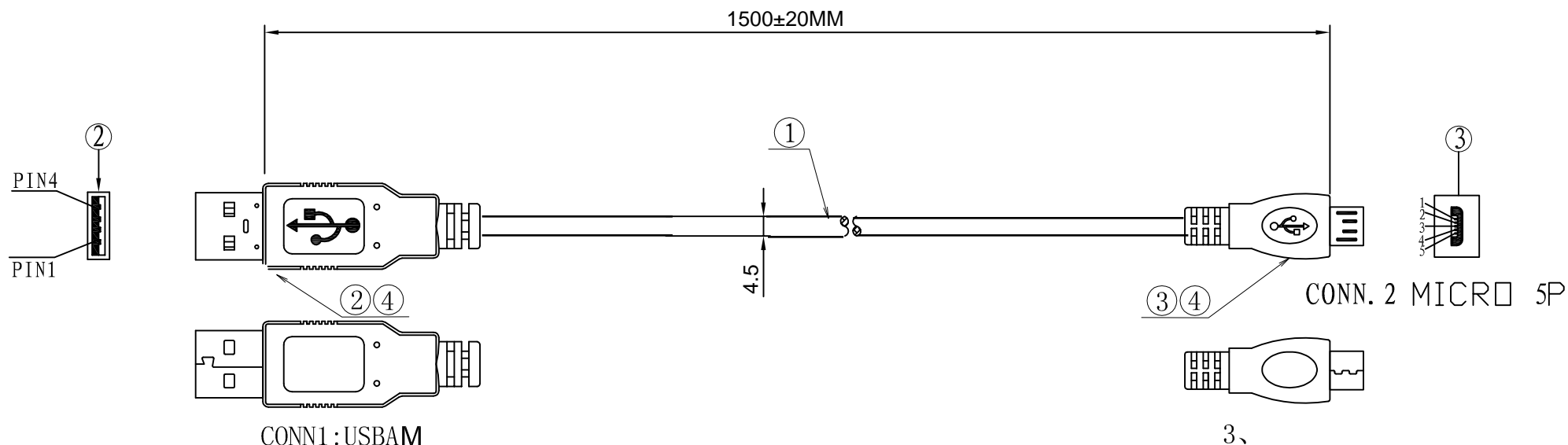


# USBAM-microUSB-D-1.5M-BLACK

| NO | Drawing | Date     | Ver. | Change records |
|----|---------|----------|------|----------------|
| 1  | Huang   | 2015-5-8 | A    |                |
| 2  |         |          |      |                |



1.Contact figure

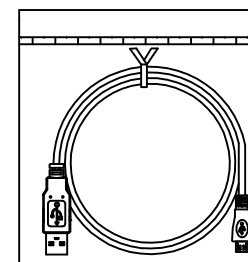
| CONN1 |        | CONN2 |
|-------|--------|-------|
| 1     | Red    | 1     |
| 2     | White  | 2     |
| 3     | Green  | 3     |
| 4     | Black  | 5     |
| SHELL | SHIELD | SHELL |

## 2.ELECTRICAL PROPERTIES

A.Hi-Pot: 300V

B.Contact Resistance: 5MΩ

C.Insulation Resistance: 5Ω



## SHENZHEN HONGKAI ELECTRONICS CO.,LTD

|          |       |                 |                    |          |     |      |    |
|----------|-------|-----------------|--------------------|----------|-----|------|----|
| Customer |       | Item No.        |                    | Page     | 1/1 |      |    |
| Drawing  | Huang | Item name       | USB AM TO MICRO 5P | Rate     | 1:1 |      |    |
| Check    |       | Drawing Numbers |                    | Ver.     | A   | Unit | mm |
| Approved |       | Date            | 2015-5-8           | PART NO. |     |      |    |

| No. | Name       | Specification                              | Dosage | Unit |
|-----|------------|--|--------|------|
| 1   | Cable      | 24AWG*2C+28AWG*1P+AL+B OD:4.5 Black L:1.5M | 1      | PC   |
| 2   | Connector  | USB A Male, Nickel Plated                  | 1      | PC   |
| 3   | Connector  | MICRO 5P Male, Nickel Plated               | 1      | PC   |
| 4   | Outer Mold | 45P PVC COLOUR: BLACK                      |        | g    |
| 5   | Packing    | Figure-8                                   |        |      |