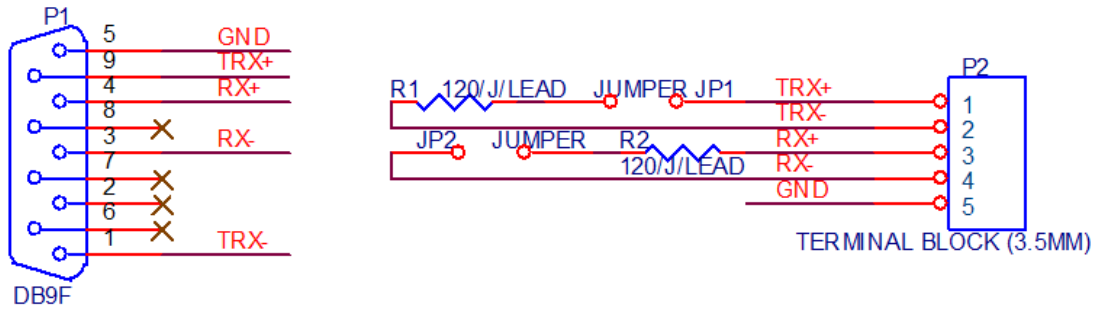


Wiring Adapter (DB9F-TB5) v1.1

- **Overview**

Wiring Adapter (DB9F-TB5) is an adapter for changing interfaces between a DSUB 9 pin Male connector and a terminal block.

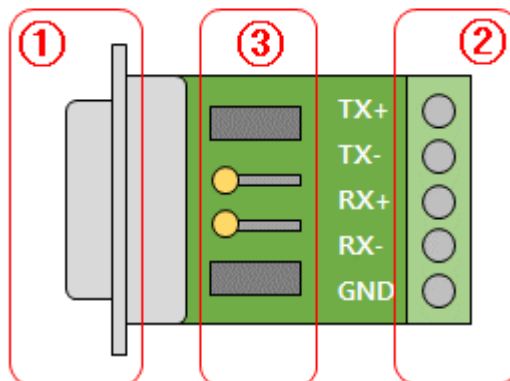
- **Circuit Diagram**



- **PIN Assignment**

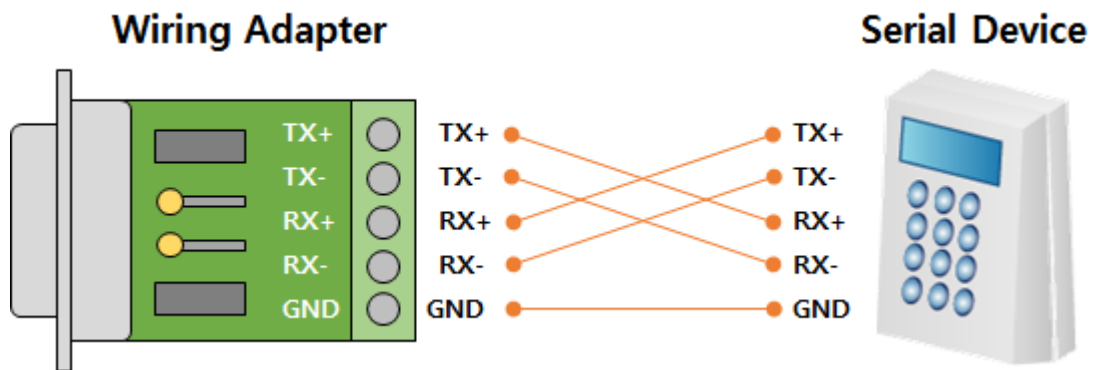
DB9F Pin Number	TB5 Pin Number	Name
9	1	TX+ (or TRX+)
1	2	TX- (or TRX-)
4	3	RX+
3	4	RX-
5	5	GND

- **Layout**



- ① DSUB 9 pin Female connector: for connecting a serial port of ezTCP
- ② Terminal Block: for connecting a serial device
- ③ Termination Registers (120Ω) and Jumpers for enabling / disabling them
 - A. To enable the registers, just disconnect the Jumpers.
 - B. To disable the registers, just connect the jumpers.

- RS422 connection example



- RS485 connection example

