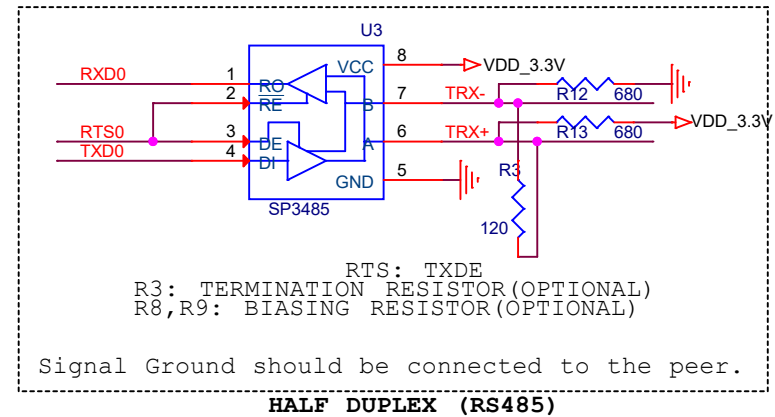
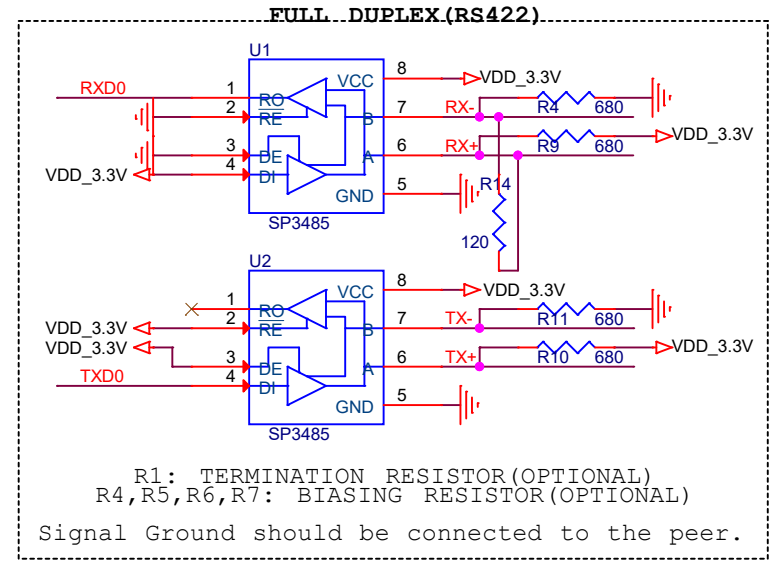


JP1: CSE-M32'S JP1
 JP2: CSE-M32'S JP2

- (1) supported RJ45s
- UDE: RDA-126BAG1A(new), RA1-126BAG1A(old) w/LED
 - UDE: RDA-106BAG1A(new), RA1-106BAG1A(old) w/o LED
 - BOTHHAND: LU1S04XLF

History
 V1.0: Initial Release(Sep 3 2007)
 V1.1: Correct RS422 Interface (Aug 12 2008)
 V1.2: Add Bothhand's RJ45(LU1S041XLF)
 V1.3: Add Biasing and Termination Resistors
 Change VCC 33 to VDD 3.3V
 Change some Comments (Feb 27 2018)



WHEN COM1 PORT IS USED FOR SERIAL COMMUNICATION

Title		
CSE-M32 RS422/RS485 INTERFACE		
Size	Document Number	Rev
A4	MAIN	V1.3
Date:	Tuesday, February 27, 2018	Sheet 1 of 1