

# APPROVAL SHEET

To :

Customer P/N :

UDE P/N : BS-RB10073

Description : RJ45 1X1 Tab Down  
Through Hole  
10 Base-T  
Contact Area : Gold Flash  
LED:L-Green; R-Yellow



Spec No.  
BS-0073

Update Date  
2010/8/2

Approved	Checked	Prepared



湧德電子 股份有限公司  
UDE Corp.

11F-1, No.58, Tongde 11th St., Taoyuan City, Taoyuan County (330), Taiwan  
桃園縣桃園市(330)同德十一街58號11F之1

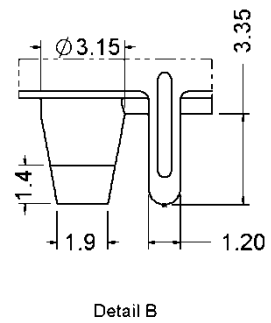
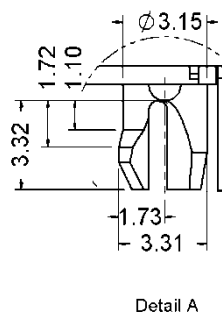
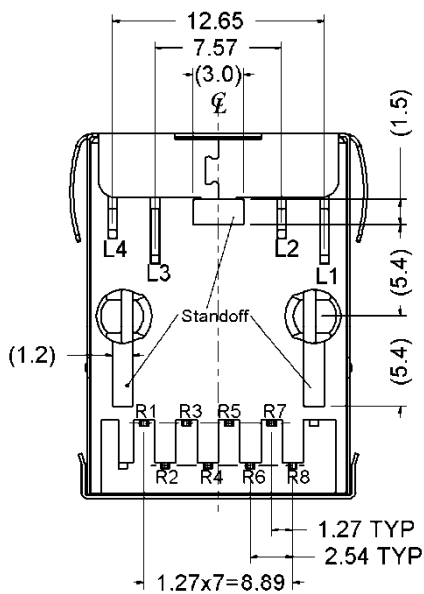
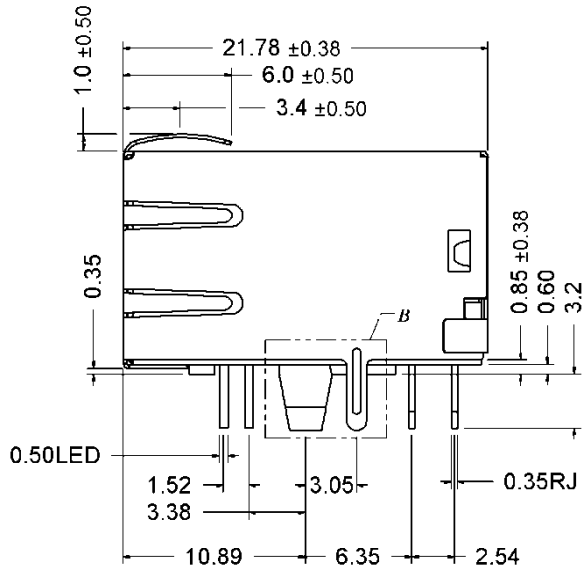
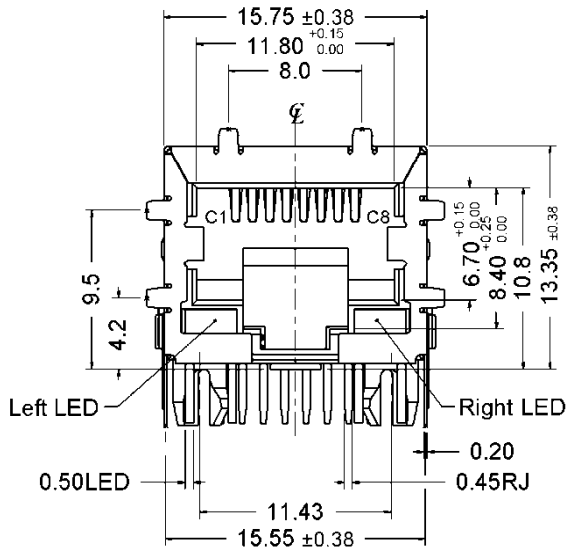
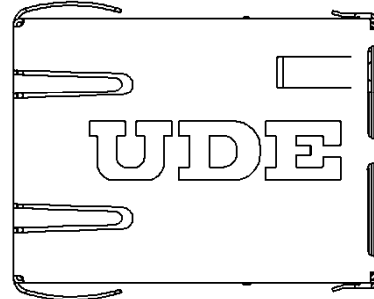
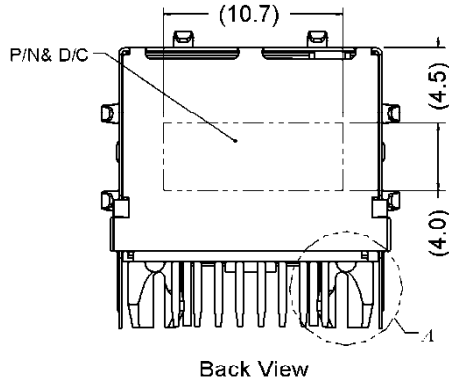
TEL:+886-3-3568600 FAX:+886-3-3560611

<http://www.ude-corp.com/>

1. MECHANICAL DIMENSION

1.1 Product Dimension

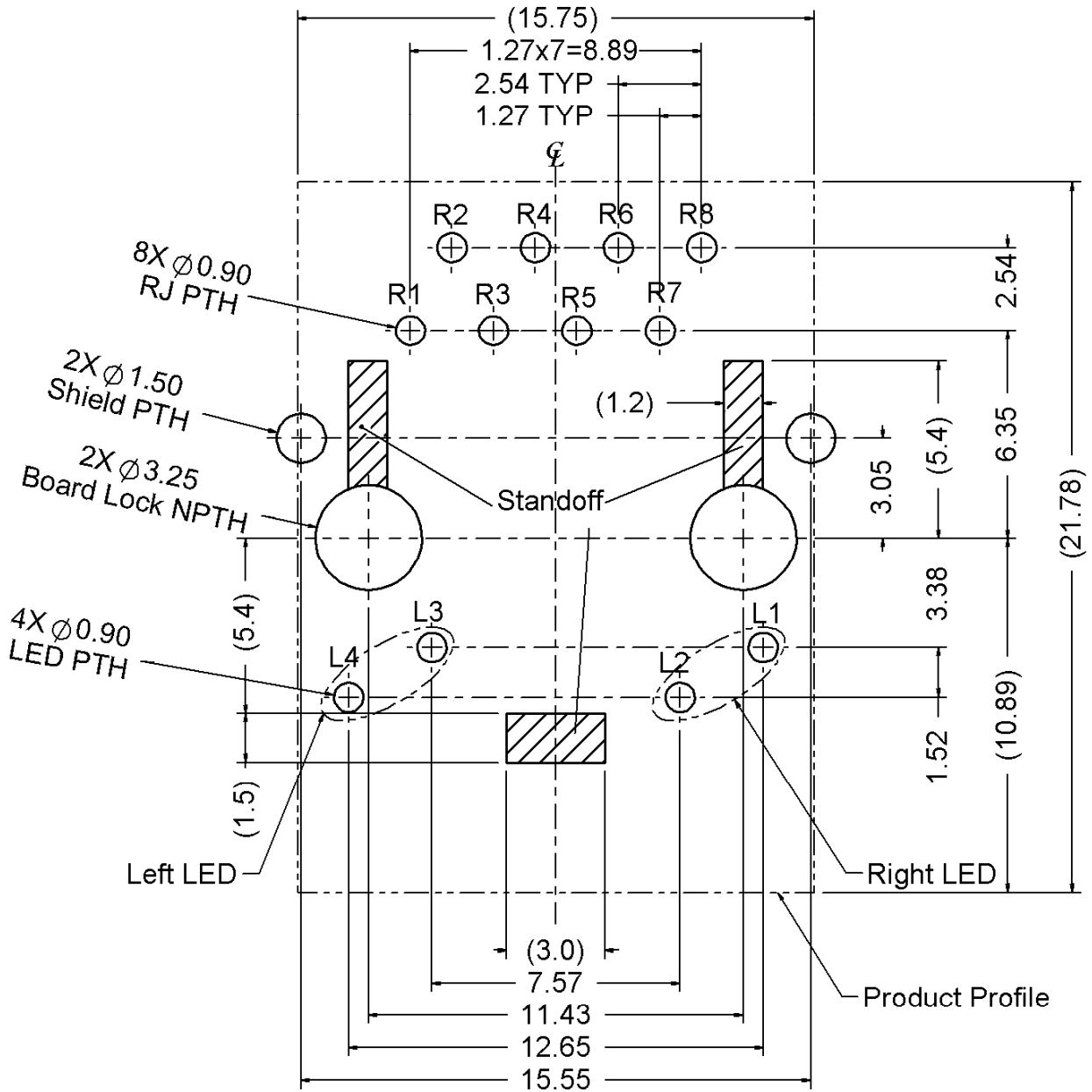
General Tolerance : X.X : ± 0.38  
 X.XX : ± 0.25



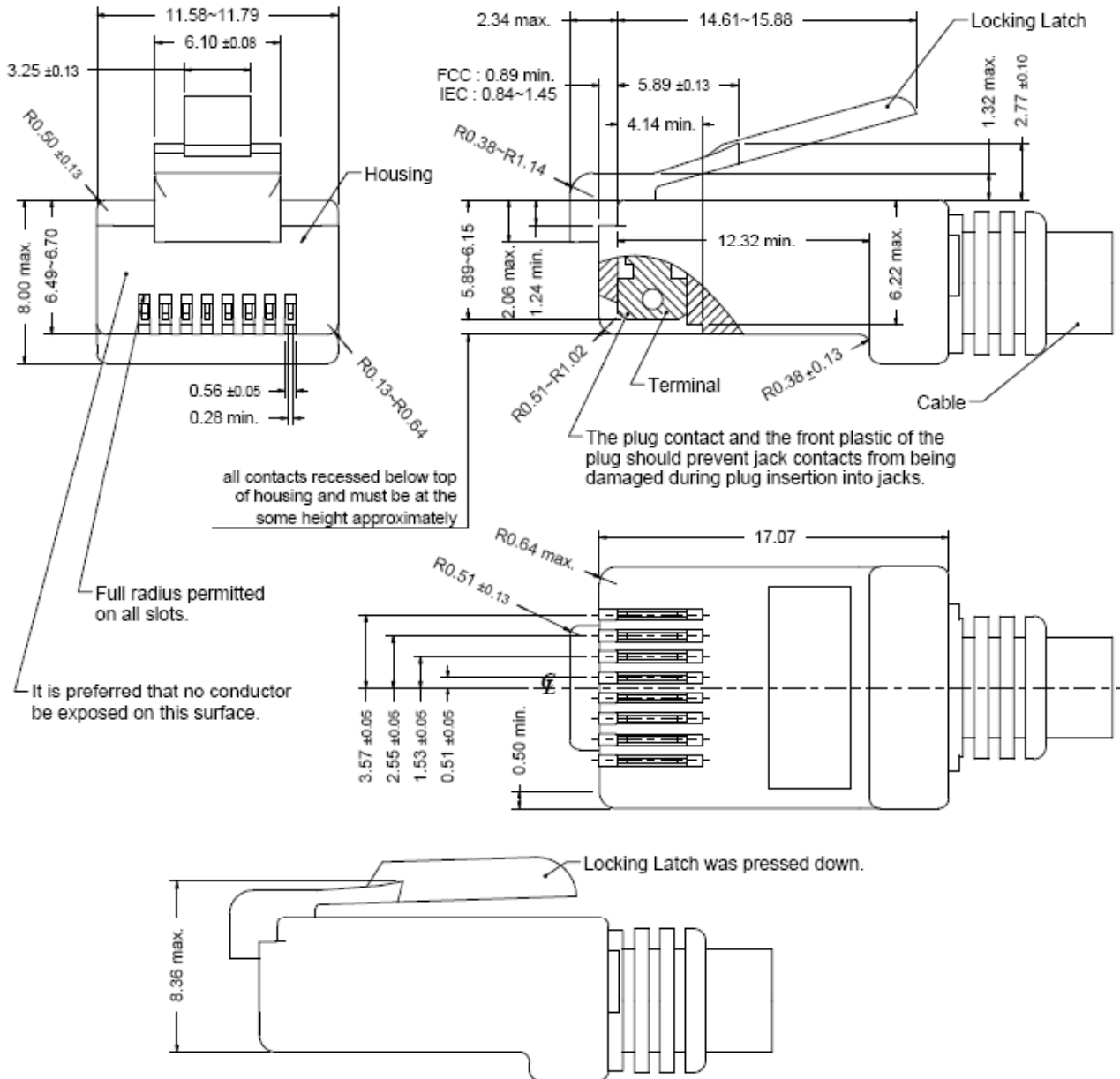
1.2 Recommended PCB Layout

Component Side of Board

All dimension tolerance are  $\pm 0.05\text{mm}$  unless otherwise specified



### 1.3 Standard RJ45 Plug Specification



- All dimensions follow :  
 FCC subpart F, 68,500, Figure (C)(2)(i) & (C)(2)(ii) & (C)(3)(i)  
 IEC 60603-7
- All plugs must be meeting the requirements of plug Go & No-Go gauge.  
 Gauge follow : FCC subpart F, 68,500, Figure (C)(4)(i) & (C)(5)(i)
- There must be no damage to Housing and Locking Latch.
- There must be no nicks and cuts in cable.
- Durability : 750 cycles generally

## 2. REQUIREMENTS

### 2.1 Design and Construction

Product shall be of design, construction and physical dimensions specified on applicable.

### 2.2 Material

#### 2.2.1 Terminal Parts (Underplating : 30 $\mu$ " min. Nickel overall)

2.2.1.1 RJ Terminal : PH. Bronze, Thickness=0.30mm

Finish : Contact Area : Gold Flash

2.2.1.2 Input Terminal : Brass, Thickness=0.35mm

Finish : 100 $\mu$ " min. Tin

2.2.1.3 Case Terminal : Brass, Thickness=0.30mm

Finish : 100 $\mu$ " min. Tin

#### 2.2.2 Plastic Parts <UL94V-0>

2.2.2.1 Housing : High Temperature Thermoplastic, Black

2.2.2.2 Case : High Temperature Thermoplastic, Black

#### 2.2.3 Shield Parts : Stainless, Thickness=0.20mm, Pre-soldering

### 2.3 Operating and Storage Temperature

Operating Temperature : 0°C to +70°C

Storage Temperature : -40°C to +85°C

### 2.4 RJ45 specifications

Insulation Resistance 500MΩ min.

Insertion force with the latch depressed 22N max

Removal force with the latch depressed 44N max

Locking Force of Plug Latch : 50N min. @ 60+/-5 sec

Durability : 750 cycles

### 2.5 Performance and Test Description

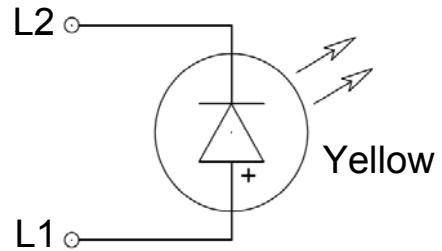
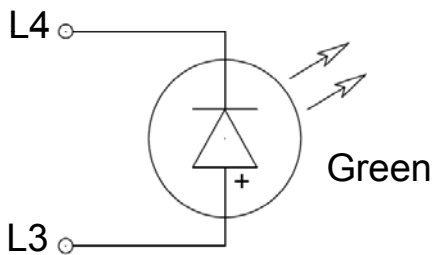
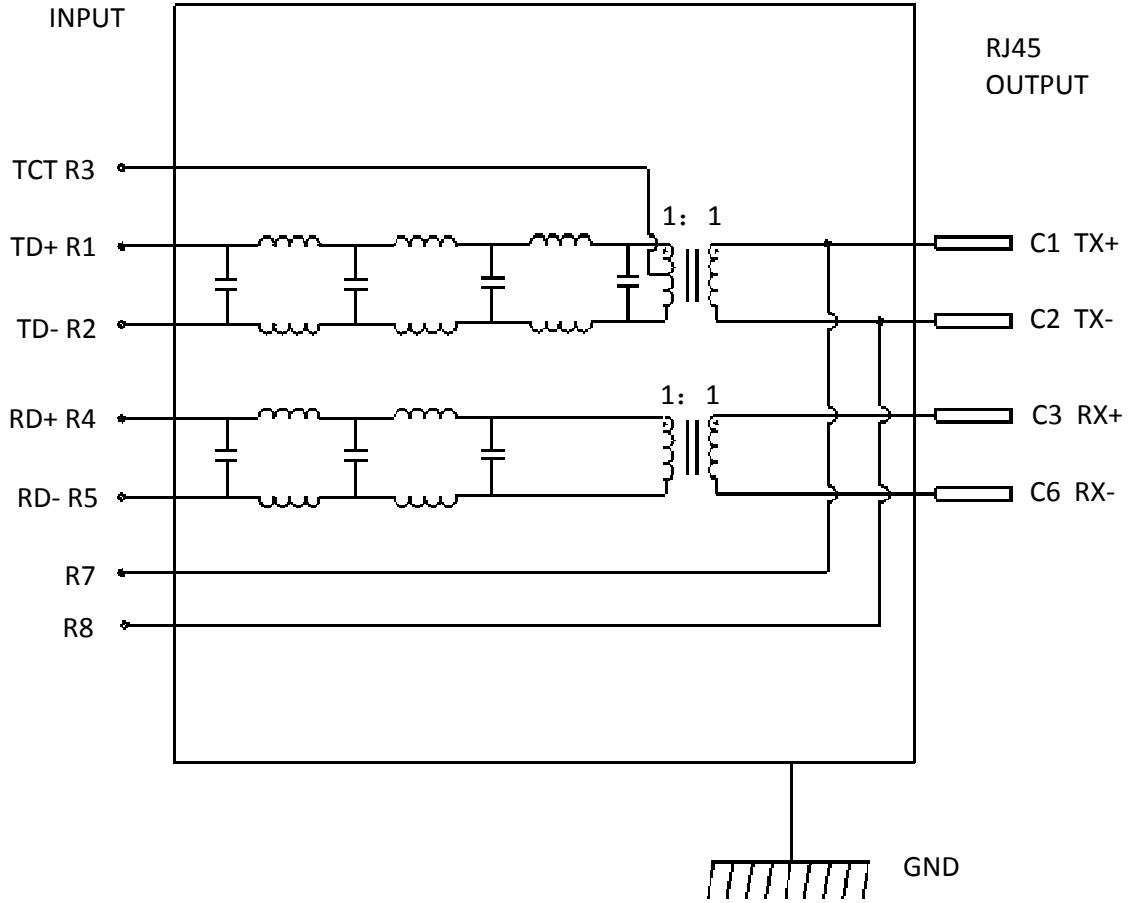
Product is designed to meet electrical, mechanical and environmental performance requirements specified in below table. All tests are performed at ambient environmental conditions per MIL-STD-1344A and EIA-364 unless otherwise specified.

### 2.6 Packaging and Packing

All parts shall be packaged and packed to protect against physical damage, corrosion and deterioration during shipment and storage.

### 3. ELECTRICAL CHARACTERISTICS

#### 3.1 Schematic



Emitting Color	$\lambda_p$ (nm)	$V_f @ I_f=20mA$	$I_r @ V_r=5V$
Green	565	1.7 ~ 2.6 V	10 $\mu$ A max.
Yellow	585	1.7 ~ 2.6 V	10 $\mu$ A max.

### 3.2 Transmitter filter

Type : Balance low pass 100Ω impedance

Cut off frequency : 17±1.5MHz -3.0dB TYP

Insertion loss : 1~10 MHz -1.0dB max.

@30 MHz -28dB min.

@40 MHz -33dB min.

Return loss : 1~10 MHz -13dB min. load 100Ω

### 3.3 Receiver filter

Type : Balance low pass 100Ω impedance

Cut off frequency : 17±1.5MHz -3.0dB TYP

Insertion loss : 1~10 MHz -1.0dB max.

@30 MHz -16dB min.

@40MHz -26dB min.

Return loss : 1~10 MHz -13dB min. load 100Ω

### 3.4 Common Mode Rejection

@ 1~100 MHz -25dB min.

### 3.5 Cross Talk

@ 1~100 MHz -30dB min.

### 3.6 HiPot Test

Input(R1-R2) To Output(C1-C2) : 1000Vac 60s

Input(R4-R5) To Output(C3-C6) : 1000Vac 60s



#### 4. DIPPING TEMPERATURE PROFILE

Note :

The measuring point for the specified temperature shall be on the soldered part of the lead.

